



SPARE PARTS EXPLODED VIEW
GAS WALL BOILERS

Model

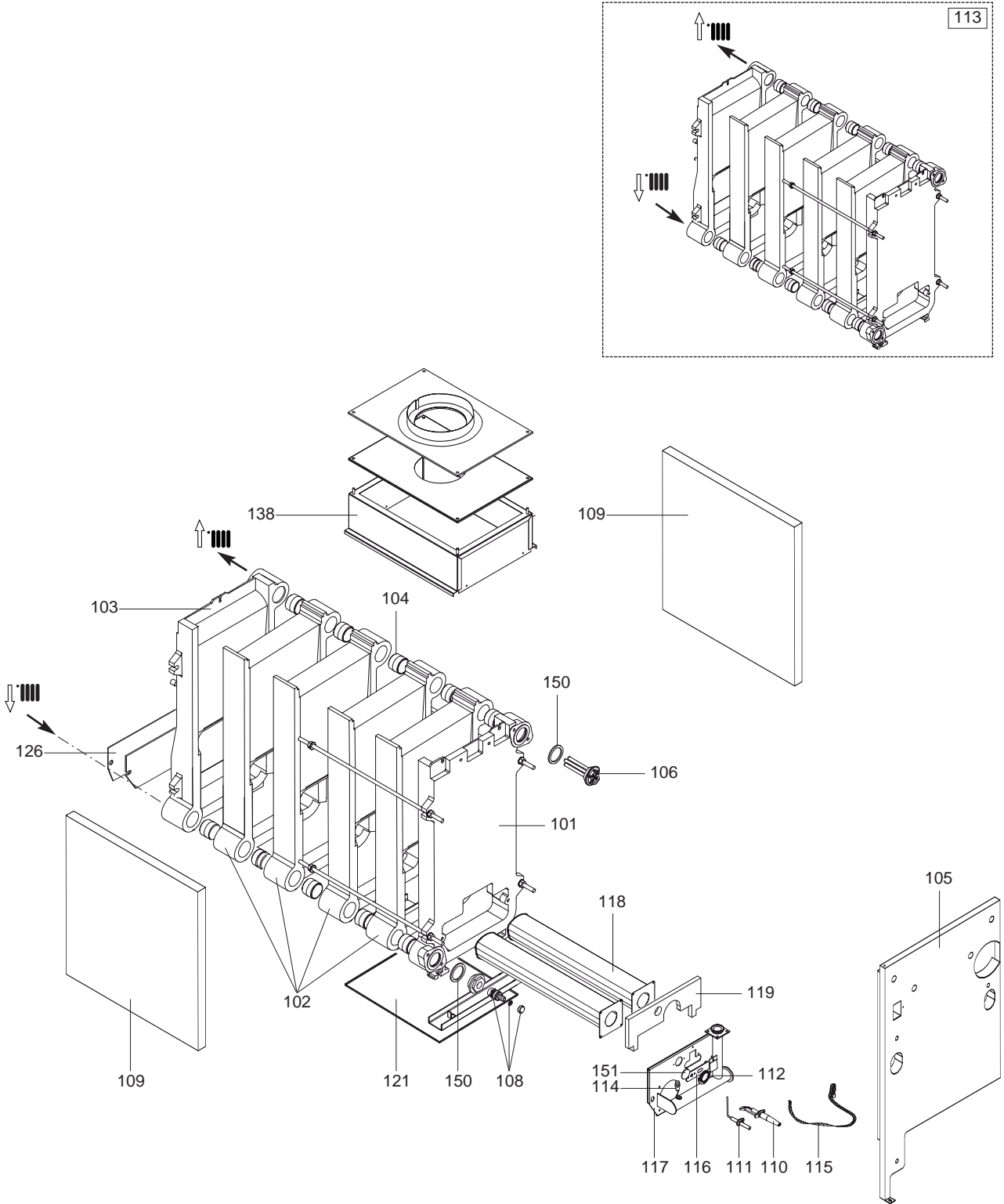
UNOBLOC G 55/64

R8215596-02EN - Edition 02 - 01/02/2011

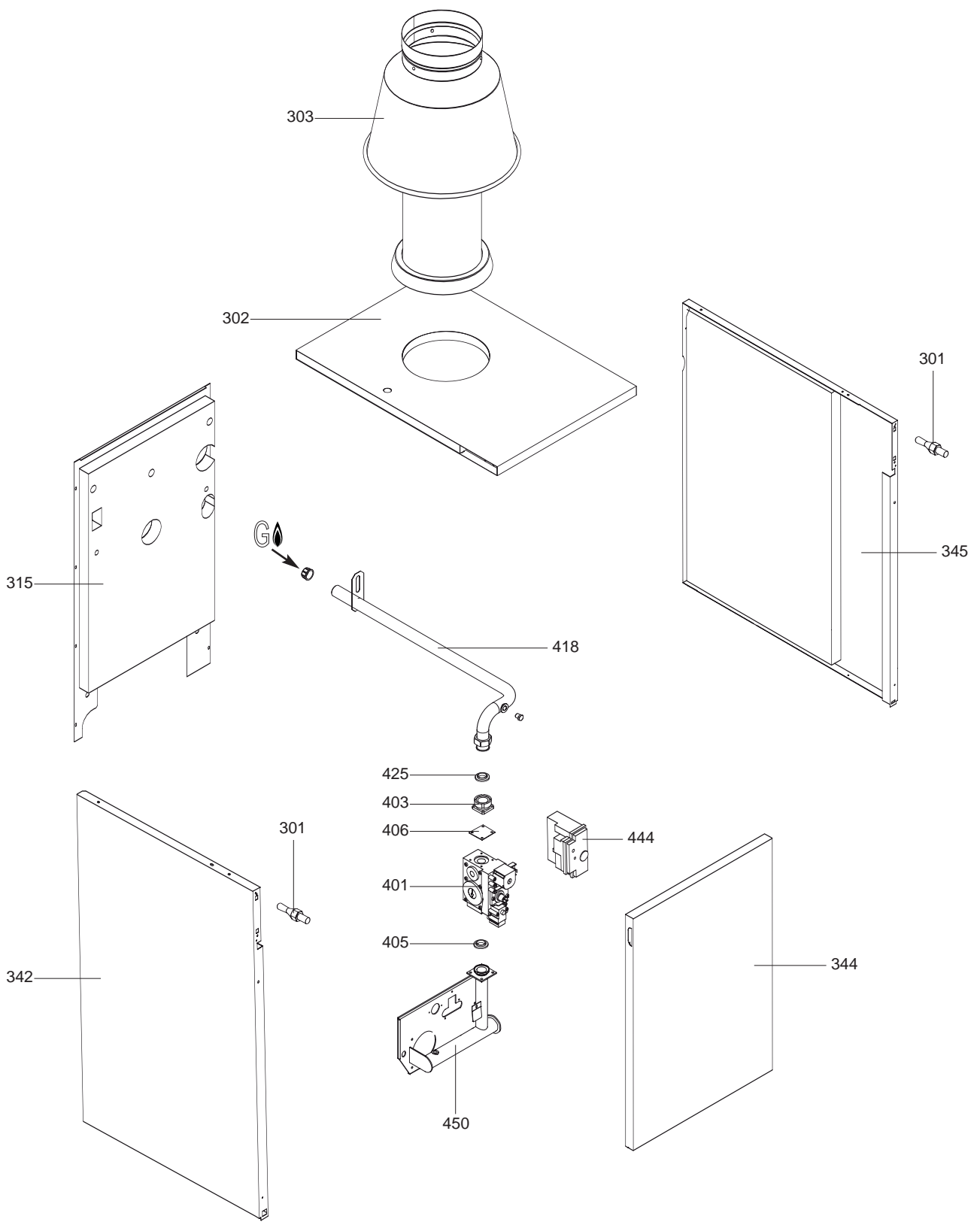
UNOBLOC 55/64

Domestic Gas Boilers

330 0021		UNOBLOC G 55 RI MET
330 0022		UNOBLOC G 64 RI MET
Reference	Ind.	Model type	Begin	End



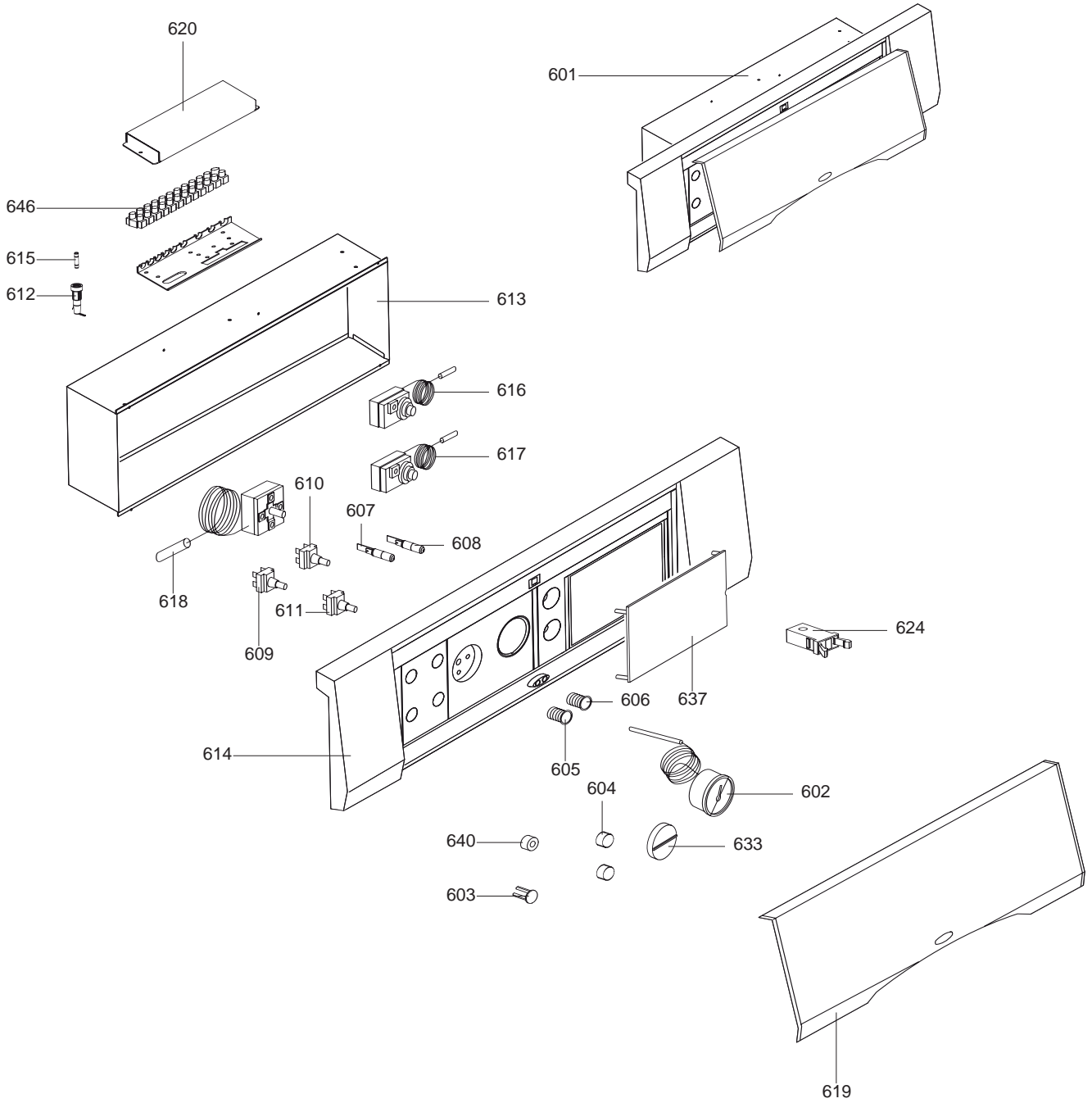
Key N	Description	Manf. Pt. N	Type	55		64		Manf. date	
								from	to
0100	SEALED CASE								
0101	FRONT ELEMENT	997557		•	•				
0102	INTERMEDIATE ELEMENT	997559		•	•				
0103	REAR ELEMENT	997558		•	•				
0104	BICONIC UNION	997318		•	•				
0105	CASE PANEL (FRONT)	65102702		•	•				
0106	PROBES HOLDER PLUG	65102698		•	•				
0108	DRAIN COCK	997390		•	•				
0109	SIDE INSULATION	997633		•					
	SIDE INSULATION	997634			•				
0110	ELECTRODE (IGNITION)	65102712		•	•				
0111	ELECTRODE (DETECTION)	997637		•	•				
0112	GLASS STOP	997345		•	•				
0113	CONDENSER	65102694		•					
	CONDENSER	65102725			•				
0114	INTAKE (PRESSURE)	997347		•	•				
0115	SHIELDING (IGNITION ELECTRODE)	999866		•	•				
0116	ELECTRODE HOLDER PLATE	65102710		•	•				
0117	GAS MANIFOLD	65102707		•	•				
0118	PIPE (BURNER)	65102709		•	•				
0119	GAS MANIFOLD INSULATION	997618		•	•				
0121	TRAY	65102700		•					
	TRAY	65102726			•				
0126	REAR DOOR INSULATION	997316		•	•				
0138	FLUE HOOD	997593		•					
	FLUE HOOD	997594			•				
0150	GASKET	997405		•	•				
0151	SIGHT GLASS	65102706		•	•				



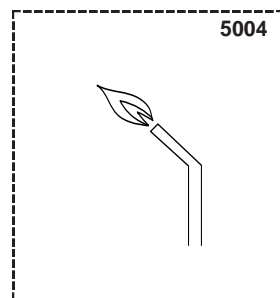
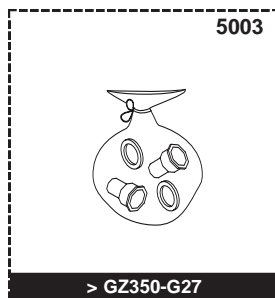
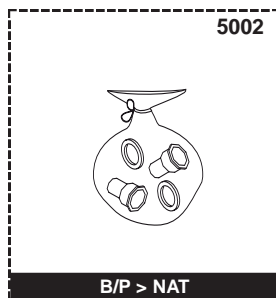
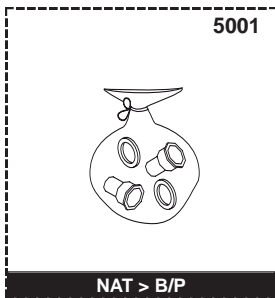
Key N	Description	Manf. Pt. N	Type		Manf. date	
					from	to
0300	CHASSIS-FRONT CASE					
0301	RODS	65102663		•	•	
0302	CASE (COVER)	65102722		•		
	CASE (COVER)	65102734			•	
0303	ANTIREFLUX	997641		•	•	
0315	CASE PANEL (REAR)	65102703		•	•	
0342	CASE PANEL (L.H. SIDE)	999732		•		
	CASE PANEL (L.H. SIDE)	999733			•	
0344	PANEL (FRONT CASE)	65102723		•	•	
0345	CASE PANEL (R.H. SIDE)	999730		•		
	CASE PANEL (R.H. SIDE)	999731			•	
0400	GAS SECTION					
0401	ELECTRIC GAS ELECTROVALVE	997638		•	•	
0403	GAS FLANGE	997616		•	•	
0405	GASKET	997410		•	•	
0406	GASKET	997644		•	•	
0418	GAS INLET PIPE	65102715		•		
	GAS INLET PIPE	997629			•	
0425	GASKET	65102708		•	•	
0444	PRINTED CIRCUIT BOARD (FLAME CONTROL)	997354		•	•	
0450	GAS MANIFOLD	65102707		•	•	

UNOBLOC 55/64

Domestic Gas Boilers



5000



Key N	Description	Manf. Pt. N	Type			Manf. date	
				65	64	from	to
0600	ELECTRICAL BOX						
0601	ELECTRIC PANEL (COMPLETE)	65102721		•	•		
0602	THERMOMETER	65102659		•	•		07/00
	THERMOMETER	999807		•	•	08/00	
0603	PLUG	65102645		•	•		
0604	BUTTON	65102646		•	•		
0605	SIGNAL LAMP CAP (GREEN)	65102650		•	•		
0606	SIGNAL LAMP CAP (RED)	65102682		•	•		
0607	SIGNAL LAMP	65102652		•	•		
0608	SIGNAL LAMP	65102653		•	•		
0609	SWITCH	65102654		•	•		
0610	BIPOLAR SWITCH	65102655		•	•		
0611	SWITCH	65102656		•	•		
0612	FUSES HOLDER	65102657		•	•		
0613	CONTROL PANEL FRAME	65102648		•	•		
0614	CONTROL PANEL	65102641		•	•		
0615	FUSE	65102658		•	•		
0616	THERMOSTAT (SAFETY)	65102660		•	•		
0617	THERMOSTAT (FLUE SAFETY)	997429		•	•		
0618	THERMOSTAT (REGULATION)	65102662		•	•		
0619	ELECTRIC BOX COVER	65102664		•	•		
0620	SERVICE COVER	65102665		•	•		
0624	PUSH-PUSH	65102647		•	•		
0633	CONTROL KNOB	65102643		•	•		
0637	COVER (THERMOSTAT REGULATION)	65102642		•	•		
0640	PUSH BUTTON	65102644		•	•		
0646	COMPLETE WIRING (ELECTRIC PANEL)	65102649		•	•		
5000	ACCESSORY						
5001	LPG BURNER JET FULL KIT	65102978		•	•		
5002	NATURAL GAS BURNER JET FULL KIT	65102711		•	•		
	NATURAL GAS BURNER JET FULL KIT	65102730		•	•		
5003	GZ350-G27 GAS BURNER JET FULL KIT	65102981		•	•		
5004	INTERMITTENT PILOT (KIT)	65102982		•	•		

LIST OF THE ABBREVIATIONS

HW	: Hot water.
CW	: Cold water.
C	: Ceramic resistance (normal heating).
Ca	: Ceramic resistance (accelerated heating)
TP	: Immersion heater.
1F	: With fittings.
2F	: Without fittings.
3F	: With fittings and another outlet connection.
AMI	: With mixing valve.
SMI	: Without mixing valve.
PUISS	: Power of th appliance.
PN	: Appliance with normal pression.
LP	: Appliance with low pression.
PV	: Appliance with variable power.
PF	: Appliance with fixed power..

IDENTIFICATION PLATE

SERIAL NUMBER

11 Characters :

1 95 065004 - 31

Month of manufacture : _____ Technical number of the appliance
 from 1 to 9 → Jan. to Sep.,
 O → Oct., N → Nov.,
 D → Dec. _____ Sequential number
 _____ Year of manufacture

19 Characters :

08 05 0013199 900640031

Year of manufacture _____ Product reference
 Month of manufacture _____ Sequential number

20 Characters :

3675007 XX 2 07 070 00315

Product reference _____ Sequential number
 _____ Manufacturing day
 Millenium of manufacture _____ Year of manufacture

21 Characters :

3675007 XX 07 070 0000315

Product reference _____ Sequential number
 Year of manufacture _____ Manufacturing day

The indications mentioned on the prices, commercial or technical literature and the scheme are written for your guidance and are available at a given time. The CONSTRUCTOR retains the power to modify the presentation, the form, the size, the conception or the material of the products.

